

# Installation Instructions

## ADJUSTABLE SERVERRACK AND QUADRARACK™ CABLE WATERFALL

### Safety Information



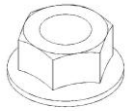
**WARNING:** Improper use of this product may lead to serious injury or death. Read and understand all instructions for proper installation and use of this product.

### Tools Required

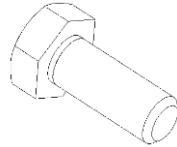
Two 13mm wrenches  
10mm wrench

### Included Hardware

2 each  
8 mm  
Flange Nut

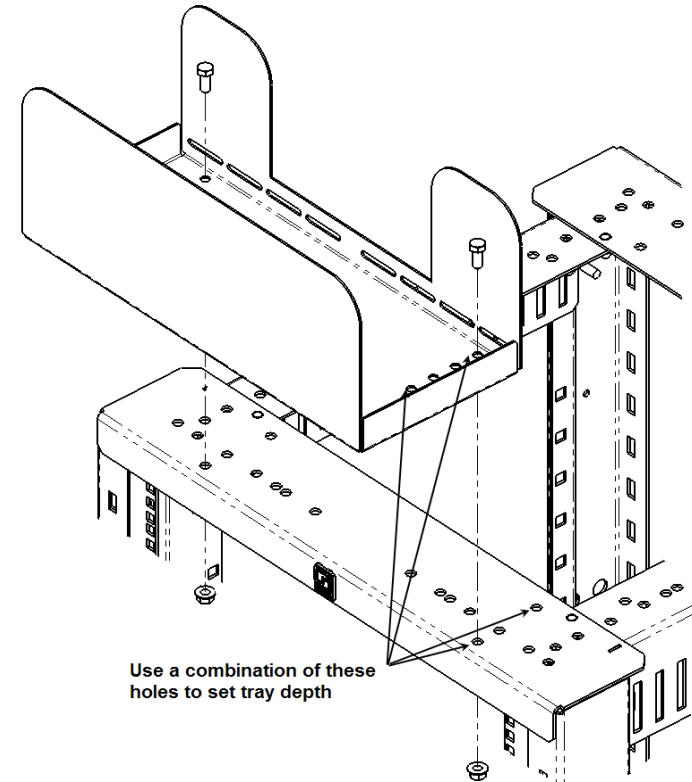


2 each  
8 mm x 20 mm  
Hex Bolt



### Assembly Sequence

1. Remove the 4 screws that attach the radius brackets to the tray and remove brackets.
2. Position the tray by aligning one of the 4 holes in the tray with one of the 3 holes in the frame top angle; this will determine the depth (overhang) of the cable waterfall. Attach with two 8 mm x 20 mm hex bolts and 8 mm nuts.



CHATSWORTH PRODUCTS, INC.

IIS-715275, 01/06/10, Rev. 2, CPI/B Krietzman

800-834-4969 (USA & Canada) • [www.chatsworth.com](http://www.chatsworth.com) • [techsupport@chatsworth.com](mailto:techsupport@chatsworth.com)

For international phone numbers, see our website or contact CPI Tech Support.

*This drawing contains proprietary and confidential information and is protected by U.S. and international law. Unauthorized reproduction, disclosure or use of the drawing or the information therein is expressly forbidden except as agreed to in writing by Chatsworth Products, Inc.*

# Installation Instructions

## ADJUSTABLE RAIL SERVERRACK AND QUADRARACK™ CABLE WATERFALL

3. Position the radius brackets at the desired width and attach with the 4 screws.

