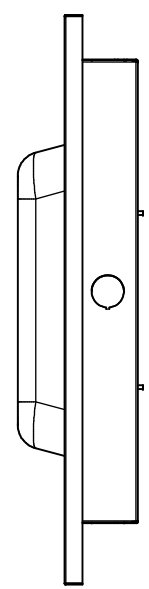
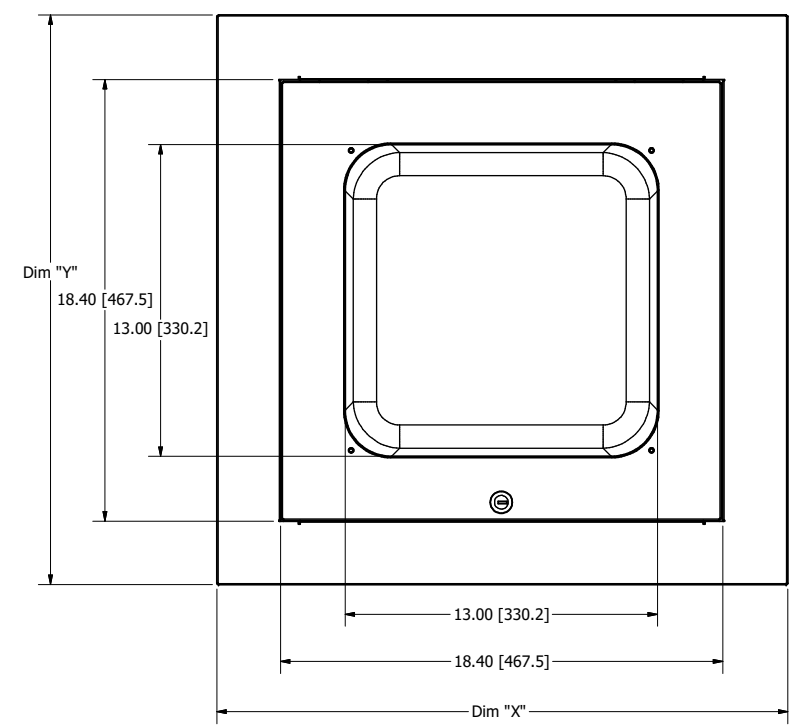
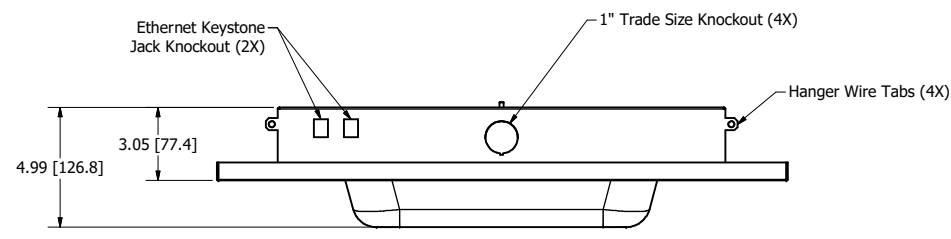


REVISION HISTORY				
ZONE	REV	DESCRIPTION	DATE	APPROVED
All	1	Released	06/21/2019	RLC
Pg. 2	2	Added drawing showing universal mounting plate and updated text	8/30/2019	RLC
All	3	Updated Views, "Includes" List	12/9/2019	CAH
All	4	Updated Configuration Table	2/19/2020	CAH
All	5	Added Missing Dimensions	5/29/2020	RLC



FLANGE DIMENSIONS		
Flange Style	Dim X	Dim Y
1047-XXXX (U.S. Size)	23.75"	23.75"
1047-XXXX-T (U.S. Size)	23.75"	23.75"
1047-XXXX-600MM (Metric Size)	594 MM	594 MM

NOTES:

- Weight: 17.5 lbs.
- Material: 20 Gauge Galvanized Steel Backbox
18 Gauge Steel Door White Powder Coat
18 Gauge Steel Flange White Powder Coat
White ABS or Frosted Polycarbonate UL94-5VA Dome
18 Gauge Galvanized Steel Mounting Plate

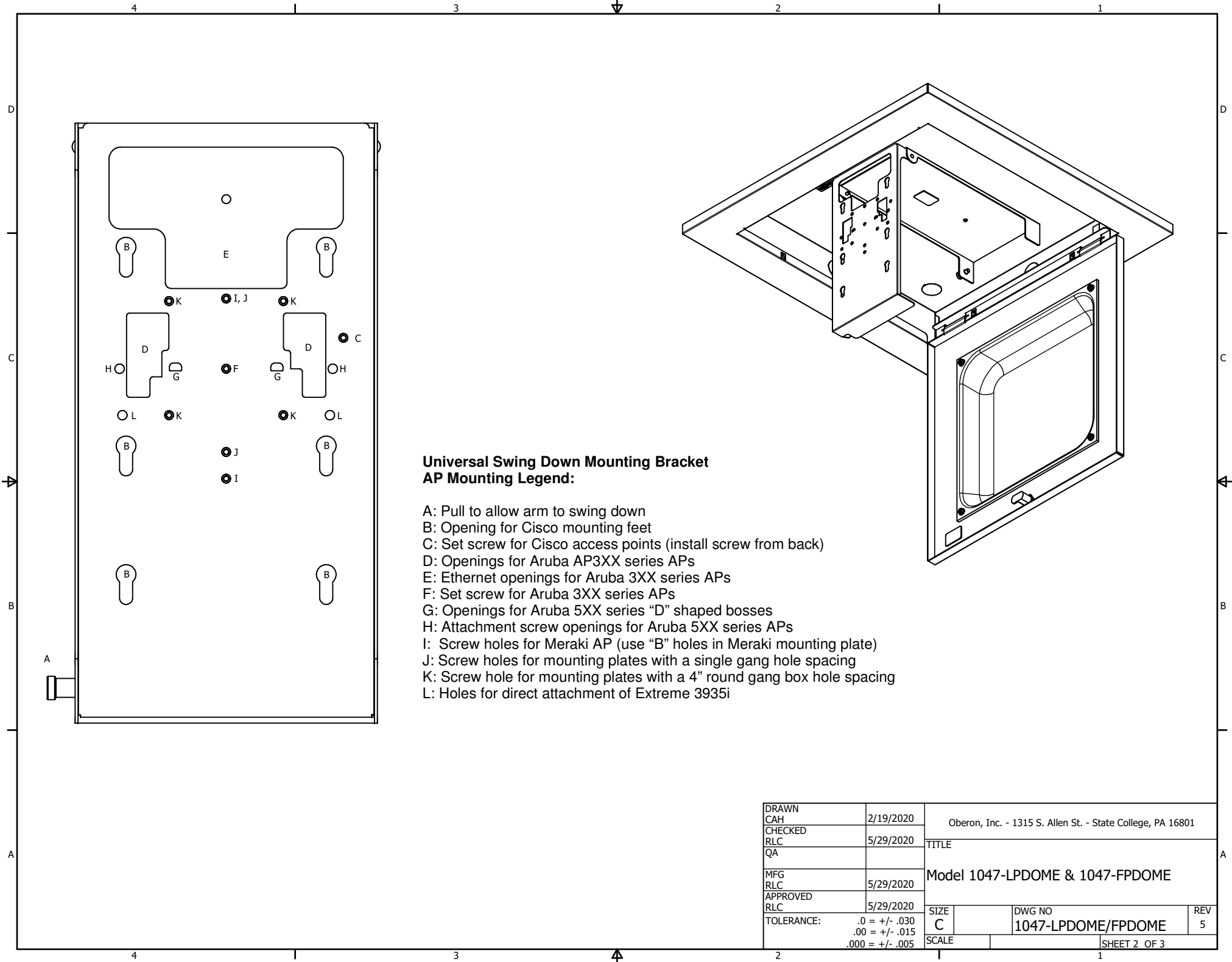
Includes:

- (1) Enclosure and Interchangeable Door
- (1) Dual Cable Egress Firestop Grommet
- (1) 1 in. Trade Size Conduit Connector
- (4) Hanger Wires
- (2) Keys for Lock
- (1) Universal Swing Down Mounting Bracket
- Access Point Attachment Hardware

UL Listed - File Number E348543
OSHPD Approved - OPM-0110-13

DRAWN CAH	2/19/2020	Oberon, Inc. - 1315 S. Allen St. - State College, PA 16801		
CHECKED RLC	5/29/2020	TITLE		
QA		Model 1047-LPDOME & 1047-FPDOME		
MFG RLC	5/29/2020	SIZE C	DWG NO 1047-LPDOME/FPDOME	REV 5
APPROVED RLC	5/29/2020	SCALE	SHEET 1 OF 3	
TOLERANCE:	.0 = +/- .030 .00 = +/- .015 .000 = +/- .005			

NOTE: All materials used in the construction of Oberon products must be RoHS compliant and meet RoHS2 Directive 2011/65/EU. Contact Oberon engineering if RoHS compliant materials are not available.



**Universal Swing Down Mounting Bracket
AP Mounting Legend:**

- A: Pull to allow arm to swing down
- B: Opening for Cisco mounting feet
- C: Set screw for Cisco access points (install screw from back)
- D: Openings for Aruba AP3XX series APs
- E: Ethernet openings for Aruba 3XX series APs
- F: Set screw for Aruba 3XX series APs
- G: Openings for Aruba 5XX series "D" shaped bosses
- H: Attachment screw openings for Aruba 5XX series APs
- I: Screw holes for Meraki AP (use "B" holes in Meraki mounting plate)
- J: Screw holes for mounting plates with a single gang hole spacing
- K: Screw hole for mounting plates with a 4" round gang box hole spacing
- L: Holes for direct attachment of Extreme 3935i

DRAWN CAH	2/19/2020	Oberon, Inc. - 1315 S. Allen St. - State College, PA 16801		
CHECKED RLC	5/29/2020	TITLE		
QA		Model 1047-LPDOME & 1047-FPDOME		
MFG RLC	5/29/2020	SIZE C	DWG NO 1047-LPDOME/FPDOME	REV 5
APPROVED RLC	5/29/2020	SCALE	SHEET 2 OF 3	
TOLERANCE:	.0 = +/- .030 .00 = +/- .015 .000 = +/- .005			

Please specify configuration when ordering:

1047 - _____ - _____ - _____

ENCLOSURE - AP DOOR - FLANGE STYLE - TILE SIZE
 STYLE (See Configurations) (-T for Tegular Flange, leave blank for lay-in) (-600MM for European metric ceiling grid, leave blank for 24" ceiling grid)

Configuration Table

MODEL NUMBER	ENCLOSURE STYLE	AP DOOR	FLANGE TYPE	TILE SIZE	ACCESS POINT	TO ORDER DOOR SEPARATELY - USE DOOR P/N ONLY
1047-ARAP315	1047	AP315			Aruba AP315	38-47-AP315
1047-ARAP325	1047	AP325			Aruba AP325	38-47-ARAP325
1047-ARAP335	1047	AP335			Aruba AP335 or AP345	38-47-ARAP335
1047-ARAP505	1047	ARAP505			Aruba AP505	38-47-ARAP505
1047-ARAP515	1047	ARAP515			Aruba AP515	38-47-ARAP515
1047-ARAP535	1047	ARAP535			Aruba AP535	38-47-ARAP535
1047-ARAP555	1047	ARAP555			Aruba AP555	38-47-ARAP555
1047-CCOAP	1047	CCOAP			Cisco 2700, 3700 Series APs	38-47-CCOAP
1047-CCOAP3800	1047	CCOAP3800			Cisco 2800, 3800 Series APs	38-47-CCOAP3800
1047-COAP4800	1047	COAP4800			Cisco 4800 Series APs	38-47-COAP4800
1047-COAP9115	1047	COAP9115			Cisco 9115 Series APs	38-47-COAP9115
1047-COAP9117	1047	COAP9117			Cisco 9117 Series APs	38-47-COAP9117
1047-COAP9120	1047	COAP9120			Cisco 9120 Series APs	38-47-COAP9120
1047-COAP9130	1047	COAP9130			Cisco 9130 Series APs	38-47-COAP9130
1047-EXT3935	1047	EXT3935			Extreme Networks 3935 AP	38-47-EXT3935
1047-EXT510i	1047	EXT510i			Extreme Networks 510i AP	38-47-EXT510i
1047-FPDOME	1047	FPDOME			General Purpose, Works With Most APs	38-47-FPDOME
1047-LPDOME	1047	LPDOME			General Purpose, Works With Most APs	38-47-LPDOME
1047-MR42	1047	MR42			Meraki MR42	38-47-MR42
1047-MR42-600MM	1047	MR45			Meraki MR45	38-47-MR45
1047-MR52	1047	MR52			Meraki MR52 or MR53	38-47-MR52
1047-MR55	1047	MR55			Meraki MR55 or MR56	38-47-MR55
1047-ND	1047	ND			N/A (No Door Included)	ND

DRAWN CAH	2/19/2020	Oberon, Inc. - 1315 S. Allen St. - State College, PA 16801		
CHECKED RLC	5/29/2020	TITLE		
QA		Model 1047-LPDOME & 1047-FPDOME		
MFG RLC	5/29/2020	SIZE C	DWG NO 1047-LPDOME/FPDOME	REV 5
APPROVED RLC	5/29/2020	SCALE	SHEET 3 OF 3	
TOLERANCE:	.0 = +/- .030 .00 = +/- .015 .000 = +/- .005			