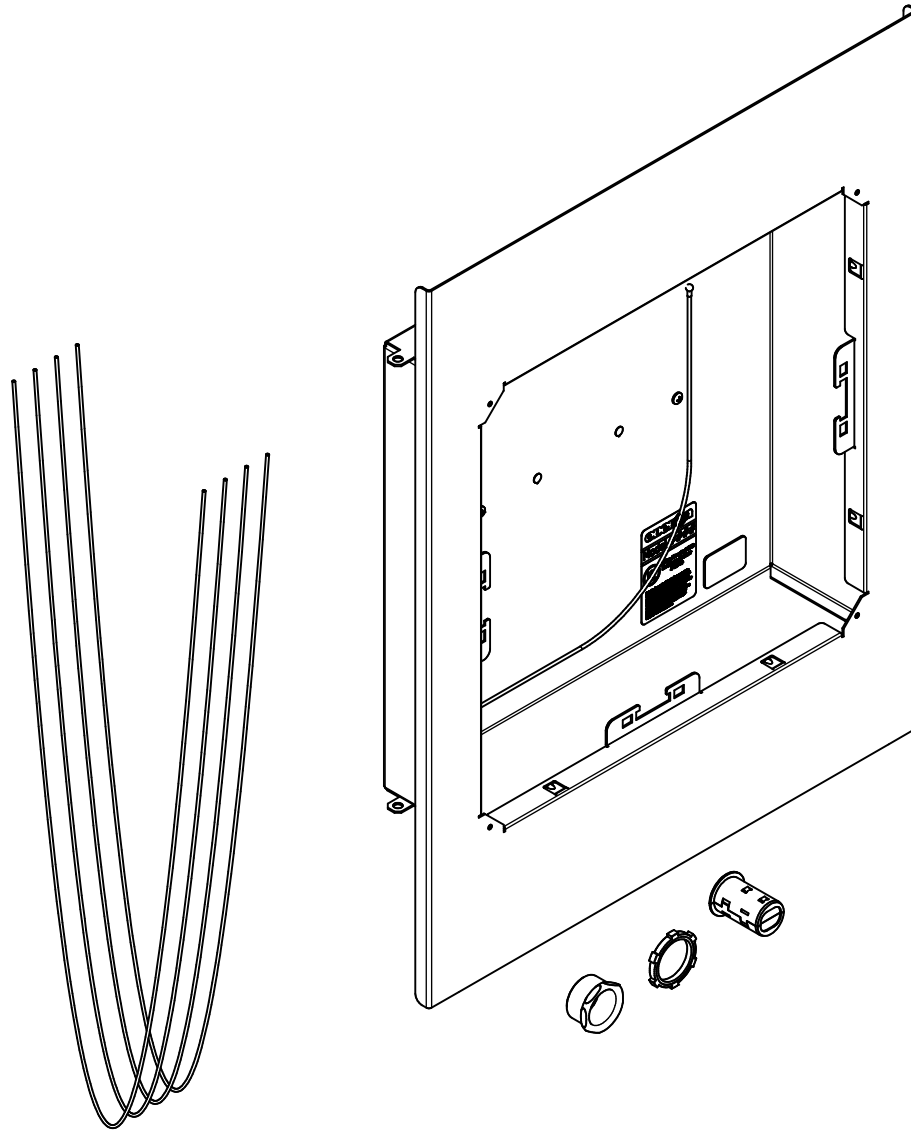


1444 BACKBOX



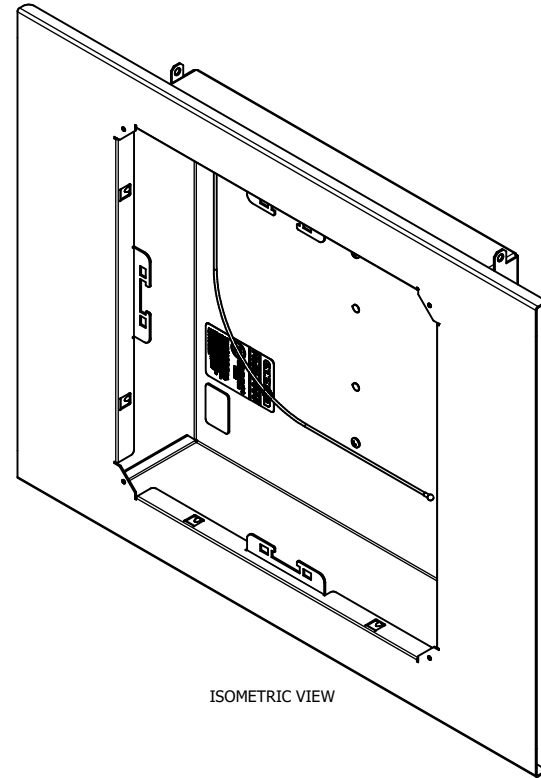
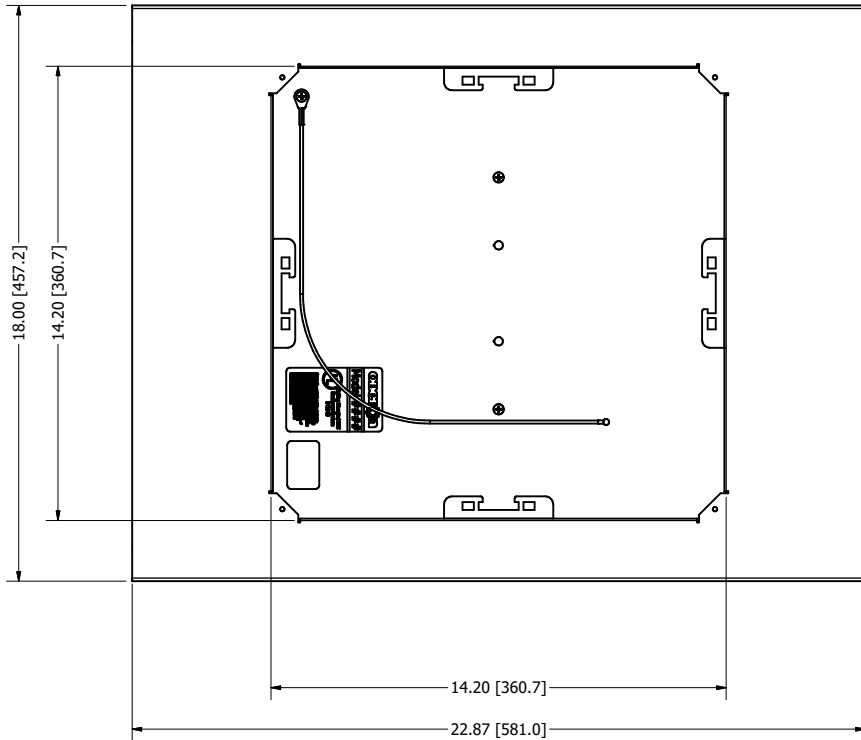
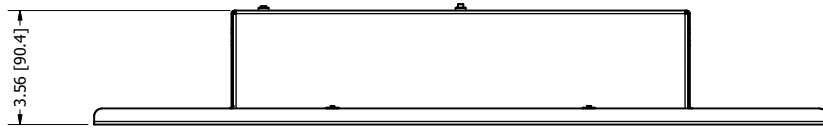
Includes:

- (1) Backbox
- (1) Trim, Specific to Access Point
- (4) Grid Wire
- Access Point Attachment Hardware
- (1) Fire Stop Grommet
- (1) Conduit Adaptor
- (1) Trim Safety Lanyard

UL Listed - File Number E348543
 HCAI OPM-0110

NOTE: All materials used in the construction of Oberon products must be RoHS compliant and meet RoHS2 Directive 2011/65/EU. Contact Oberon engineering if RoHS compliant materials are not available.

DRAWN	9/19/2025	Oberon, Inc. - 1315 S. Allen St. - State College, PA 16801		
CHECKED	9/19/2025	TITLE		
RLC		Model 1444-XX Series Mounts		
QA				
MFG	9/19/2025	SIZE	DWG NO	REV
RLC		C	SPEC-OB1444	1
APPROVED	9/19/2025	SCALE	SHEET 1 OF 6	
RLC				
TOLERANCE:	.0 = +/- .030			
	.00 = +/- .015			
	.000 = +/- .005			



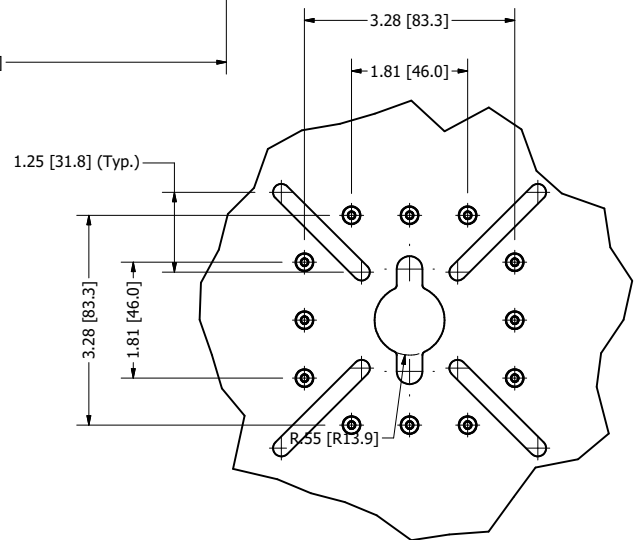
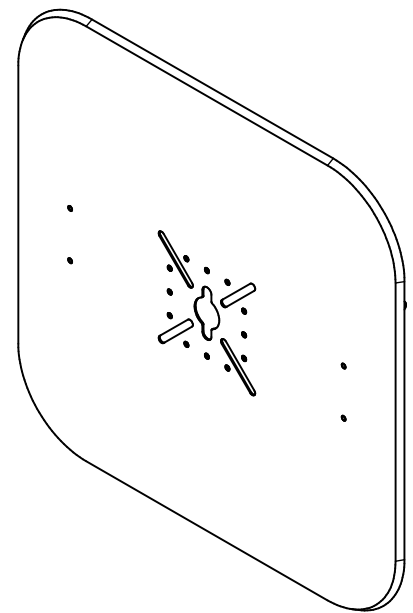
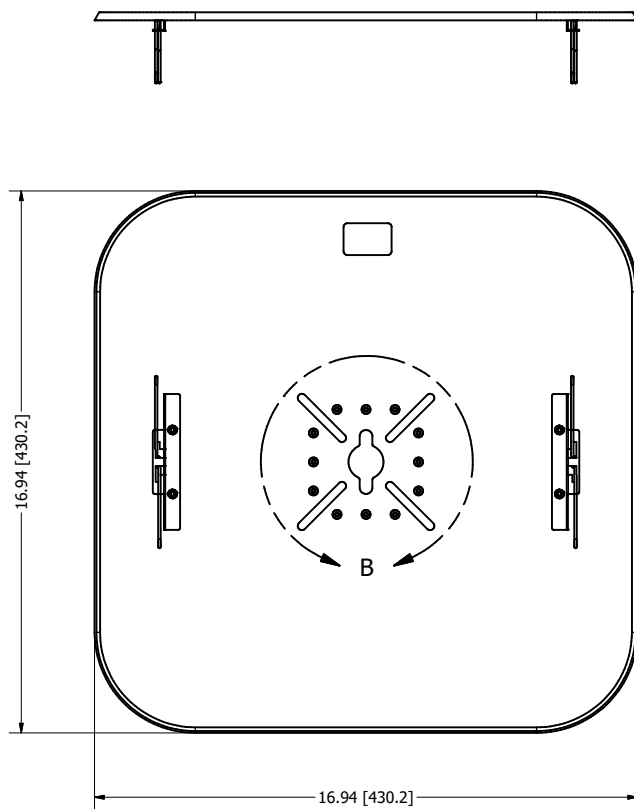
ISOMETRIC VIEW

NOTES:

- Weight: 5 lbs.
- Material: 16 Ga. Aluminum Back Box

DRAWN	RLC	9/19/2025	Oberon, Inc. - 1315 S. Allen St. - State College, PA 16801		
CHECKED	RLC	9/19/2025	TITLE		
QA			Model 1444-XX Series Mounts		
MFG	RLC	9/19/2025	SIZE	DWG NO	REV
APPROVED	RLC	9/19/2025	C	SPEC-OB1444	1
TOLERANCE:	.0 = +/- .030		SCALE	SHEET 2 OF 6	
	.00 = +/- .015				
	.000 = +/- .005				

ANTMNT TRIM



DETAIL B
SCALE 2 / 3

NOTES:

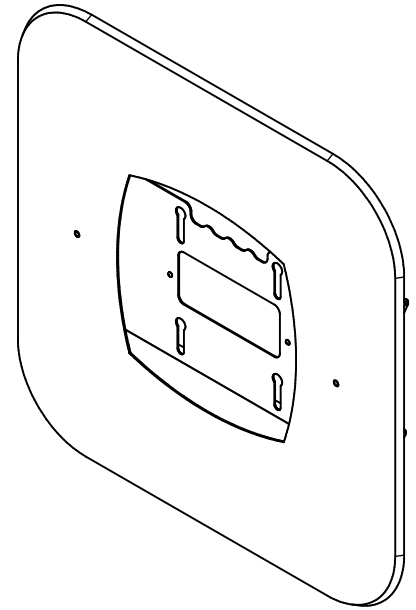
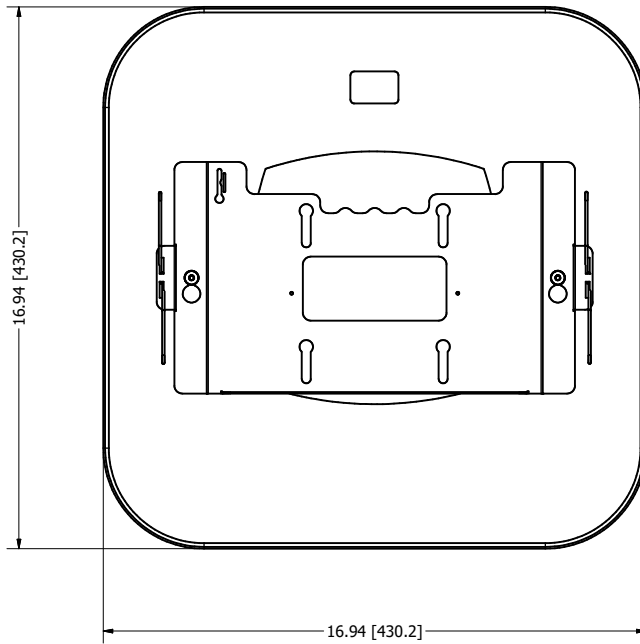
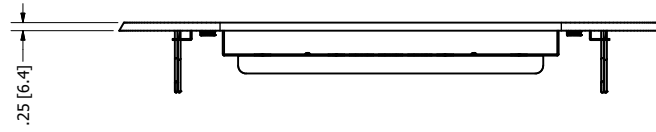
- Weight: 3 lbs.
- Material: 20 Ga. White Powder Coated Steel Trim

INCLUDES:

- Mounting Pattern to Accommodate Most Antennas
- Torsion Springs

DRAWN	RLC	9/19/2025	Oberon, Inc. - 1315 S. Allen St. - State College, PA 16801	
CHECKED	RLC	9/19/2025	TITLE	
QA			Model 1444-XX Series Mounts	
MFG	RLC	9/19/2025	SIZE	DWG NO
APPROVED	RLC	9/19/2025	C	SPEC-OB1444
TOLERANCE:	.0 = +/- .030		SCALE	REV
	.00 = +/- .015			1
	.000 = +/- .005		SHEET 3 OF 6	

AP FACED TRIMS



NOTES:

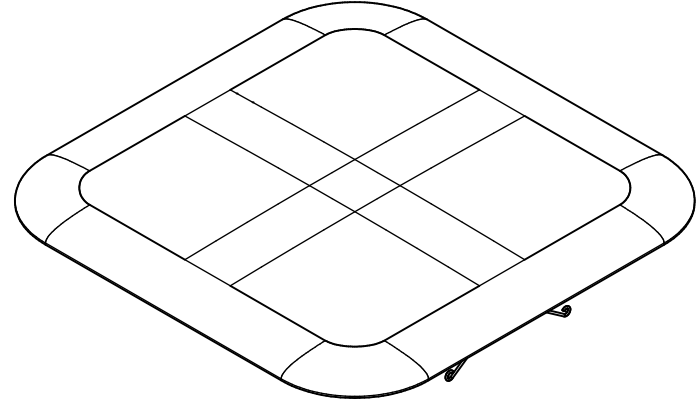
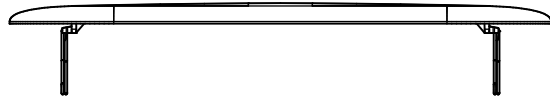
- Weight: 3 lbs.
- Material: 20 Ga. White Powder Coated Steel Trim

INCLUDES:

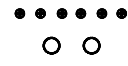
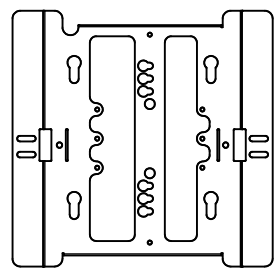
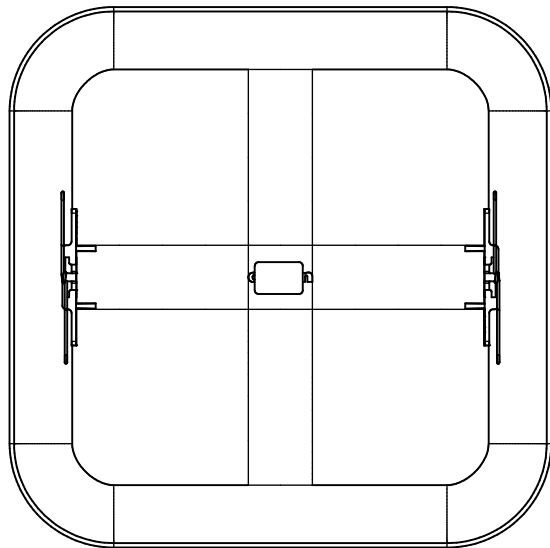
- AP Specific Bracket
- Torsion Springs

DRAWN RLC	9/19/2025	Oberon, Inc. - 1315 S. Allen St. - State College, PA 16801		
CHECKED RLC	9/19/2025	TITLE		
QA		Model 1444-XX Series Mounts		
MFG RLC	9/19/2025	SIZE C	DWG NO SPEC-OB1444	REV 1
APPROVED RLC	9/19/2025	SCALE	SHEET 4 OF 6	
TOLERANCE:	.0 = +/- .030 .00 = +/- .015 .000 = +/- .005			

FXL TRIM



ISOMETRIC VIEW



NOTES:

- Weight: 3 lbs.
- Material: UL 94-5VA Polycarbonate Plastic Trim

INCLUDES:

- T-Bar Bracket
- Cisco Mounting Bracket
- Torsion Springs

DRAWN	RLC	9/19/2025	Oberon, Inc. - 1315 S. Allen St. - State College, PA 16801		
CHECKED	RLC	9/19/2025	TITLE		
QA			Model 1444-XX Series Mounts		
MFG	RLC	9/19/2025	SIZE	DWG NO	REV
APPROVED	RLC	9/19/2025	C	SPEC-OB1444	1
TOLERANCE:	.0 = +/- .030		SCALE		SHEET 5 OF 6
	.00 = +/- .015				
	.000 = +/- .005				

CONFIGURATION TABLE

TABLE		
MODEL NUMBER	TRIM PART NUMBER	ACCESS POINT
1444-ANTMNT	37-144X-ANTMNT	For Antennas
1444-ARAP515	37-144X-ARAP515	Aruba AP515
1444-ARAP535	37-144X-ARAP535	Aruba AP535
1444-ARAP555	37-144X-ARAP555	Aruba AP555
1444-ARAP635	37-144X-ARAP635	Aruba AP635
1444-ARAP655	37-144X-ARAP655	Aruba AP655
1444-ARAP735	37-144X-ARAP635	Aruba AP735
1444-ARAP755	37-144X-ARAP655	Aruba AP755
1444-ARSTC360	37-144X-ARSTC360	Aruba C360
1444-COAP9120	37-144X-COAP9120	Cisco 9120 Series AP
1444-COAP9130	37-144X-COAP9130	Cisco 9130 Series AP
1444-COAP9136	37-144X-COAP9136	Cisco 9136 Seriea AP
1444-CW9166	37-144X-CW9166	Cisco 9164, 9166 Series AP
1444-CW9172	37-144X-CW9172	Cisco 9172
1444-CW9176	37-144X-CW9176	Cisco 9176
1444-CW9178	37-144X-CW9178	Cisco 9178
1444-FXL	37-144X-FXL	General Purpose for APs w/ Internal Antennas
1444-JNAP43	37-144X-JNAP43	Juniper AP43
1444-JNAP45	37-144X-JNAP45	Juniper AP45
1444-JNAP47	37-144X-JNAP47	Juniper AP47
1444-NT	NT	N/A (No Trim Included)

DRAWN RLC	9/19/2025	Oberon, Inc. - 1315 S. Allen St. - State College, PA 16801		
CHECKED RLC	9/19/2025	TITLE		
QA		Model 1444-XX Series Mounts		
MFG RLC	9/19/2025	SIZE C	DWG NO SPEC-OB1444	REV 1
APPROVED RLC	9/19/2025	SCALE	SHEET 6 OF 6	
TOLERANCE:	.0 = +/- .030 .00 = +/- .015 .000 = +/- .005			